

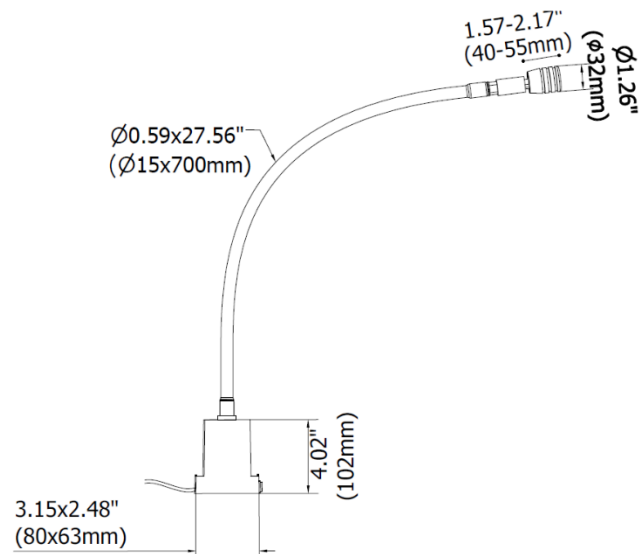


LED lamp with adjustable light beam. Ideal for precision lighting. LED light source and flexible arm that allow you to direct the light where desired. Switch on the base of the lamp.

Particularly suitable for lighting on sewing machines, button fasteners, eyelet machines, key duplicators.

- Anodized aluminum spot lamp
- High efficiency LED technology – free maintenance
- **Adjustable light beam (narrow/diffuse)**
- 5000 K light color
- Power supply 230 VAC (internal driver LED)
- Flex arm version
- Dimmable version available

DIMENSIONS



MECHANICAL FEATURES

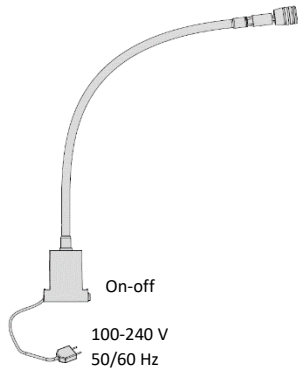
Model	T10122S01	T10122S02	T10122S03	T10122S04
Casing material	Anodized aluminum spot, plastic base, flexible steel stem covered by sheath			
Side Caps	Anodized aluminum			
Surface Treatment	Aluminum anodizing / RAL 7035	Black	Aluminum anodizing / RAL 7035	Black
Front glass	Glass concentration lens			
Weight	~ 2.54 lb 1,15 kg	~ 2.54 lb 1,15 kg	~ 2.65 lb 1,20 kg	~ 2.65 lb 1,20 kg
Protection Index	IP30			
Operating Temperature	-20 °C / + 45 °C			
Installation	Screws, CLAMP03, B01			

ELECTRICAL FEATURES

Model	T10122S01	T10122S02	T10122S03	T10122S04
Power input	3 W (@700mA)	3 W (@700mA)	3 W (@700mA) dimmable	3 W (@700mA) dimmable
Power supply	100 ÷ 240 Vac - 50/60 Hz		100 ÷ 240 Vac - 50/60 Hz	
Electrical connection	PVC cable 2x 0,75mmq L.2 m with EUROPLUG			
Insulation Class	Class II			
Efficiency Class	A/A+/A++/A+++ (Integrated LED module) compliant with UE Law No. 874/2012			

CONNECTION 100-240 Vac

PVC 2x 0,75 mm² L= 6.56 ft. (2 m) with Europlug



Conductor

Connection

Brown

L – 230 V

Blue

N – 230V

OPTICAL FEATURES

Model	N° and Type of LEDs	LED Lifespan	Light Color	CRI	Light Beam Angle	Luminous Flux	Efficiency
T10122S01	1 Power LED	60 000 h L70 **	5000 K	80	Adjustable	~ 160 lm	~ 53 lm/W
T10122S02	1 Power LED	60 000 h L70 **	5000 K	80	Adjustable	~ 160 lm	~ 53 lm/W
T10122S03	1 Power LED	60 000 h L70 **	5000 K	80	Adjustable	~ 160 lm DIM	~ 53 lm/W
T10122S04	1 Power LED	60 000 h L70 **	5000 K	80	Adjustable	~ 160 lm DIM	~ 53 lm/W

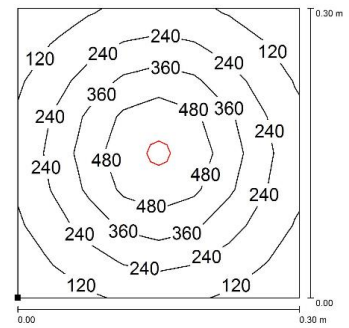
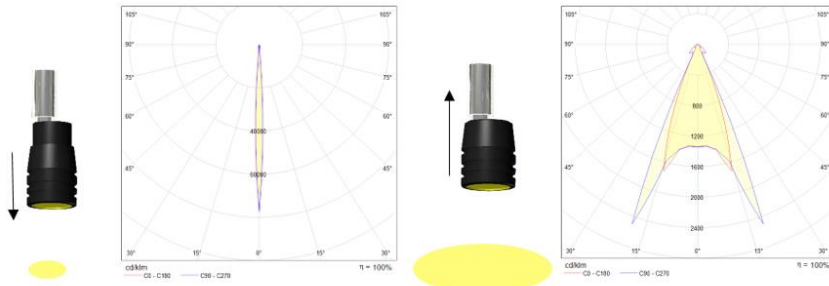
** Flow beam reduced by less than 30% after 60,000 hours

PHOTOMETRIC DIAGRAMS

Narrow beam

Diffuse beam

T10122S01 / T10122S02 / T10122S03 / T10122S04
(diffuse beam)



Distance graphic: 0,3 m

MOUNTING OPTIONS

Product pictures

Description

Code



Robust, versatile vibration-resistant metal clamp made of stainless steel. Quick assembly on workbenches, sewing machines etc.

CLAMP03



The strong neodymium magnetic base with high adhesion is the perfect solution for all applications that require both high adhesion and frequent changes in light position.

B01

ORDER CODES

Model	Description
T10122S01	T13, 27.55"(700mm), 15°±100°, 3W, 230Vac, Cable 6.5ft(2m) Europlug, WHITE
T10122S02	T13, 27.55"(700mm), 15°±100°, 3W, 230Vac, Cable 6.5ft(2m) Europlug, BLACK
T10122S03	T13, 27.55"(700mm), 15°±100°, 3W, 230Vac, Cable 6.5ft(2m) Europlug, DIMMABLE, WHITE
T10122S04	T13, 27.55"(700mm), 15°±100°, 3W, 230Vac, Cable 6.5ft(2m) Europlug, DIMMABLE, BLACK
CLAMP03	Metal clamp for 2,36x2,36"(80x63mm) base
B01	Magnetic base with screw 3.15x2.48 inc.(80x63mm)