

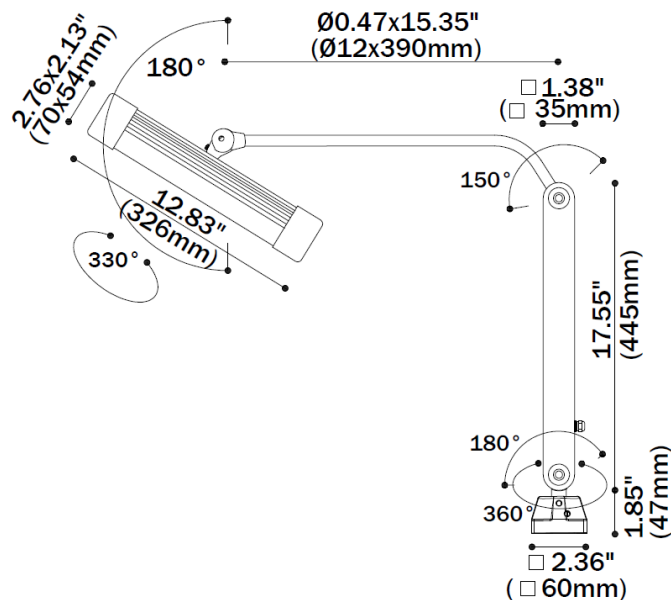


Used for work tables dedicated to assembly.

A working day can put your eyesight to the test if you don't have an efficient light. The JOB-BR, LED lamp for industry, was born from the need to provide the work tables with constant lighting over time, without flickering and with an excellent color rendering, ideal for use in the industrial sector. The lamp has a sturdy structure and a movable arm that can be oriented as desired. Resistant and practical, also available with dimmer, it guarantees energy savings of 50% compared to traditional lighting.

- LED lamp for industry with articulated and mobile arm
- Design with extruded aluminum
- Only 13 W, Light color of 5.000 K – CRI80, 110° beam
- Uniform anti-glare flicker-free lighting
- 24 Vdc or 100-230 Vac connection
- Protection against polarity reversal
- Operating temperature from -04°F (-20°C) to +113°F (+45°C)
- LED life (L 70) > 60,000 hours
- 50% energy savings
- Base made of PA66 GF30

DIMENSIONS



MECHANICAL FEATURES

Model	JB0221S01	JB0222S01	JB0222S02
Casing Material	Anodized extruded aluminum		
Side Caps	ABS gray		
Surface Treatment	Standard: 10 microns of black aluminum solution oxidation (spot) – powder coating RAL7035 (arm)		
Front Glass	Polycarbonate with anti-glare film 0.08 in (2mm). thick		
Weight (excluding accessories)	~3.53 lb (1,60 kg)	~3.97 lb (1,80 kg)	~4.08 lb (1,85 kg)
Protection Index	IP40		
Impact Resistance	IK06		
Operating Temperature	04°F (-20°C) to +113°F (+ 45°C)		
Installation	Screws, CLAMP04, B02		

ELECTRICAL FEATURES

Model	JB0221S01	JB0222S01	JB0222S02
Power Input	13 W	13 W	13 W DIMMABLE
Power Supply	24 Vdc	100-230 Vac	100-230 Vac
Current	0,54 A @24 Vdc	0,06 A @ 230 Vac	0,06 A @ 230 Vac
Device Power Protection	Full protection against reverse polarity		
Electrical Connection	CABLE	CABLE + SCHUKO PLUG	CABLE + SCHUKO PLUG
Insulation Class	Class III	Class I	Class I
Efficiency Class	A/A+/A++/A+++ (Integrated LED module) compliant with UE Law No. 874/2012		

CONNECTION 24 VDC version

PUR 3G 0.75 mm² L= 5 ft. (1,5 m)



INPUT
24Vdc

Conductor

Connection

1 Black

+ 24 Vdc

2 Black

- 0 Vdc

CONNECTION 100-230 Vac version

PVC 3G 0.75 mm² L= 5 ft. (1,5 m)



INPUT 100-230V
Schuko plug

Conductor

Connection

Brown

L – 230 V

Blue

N – 230 V

Wellow / green

GND

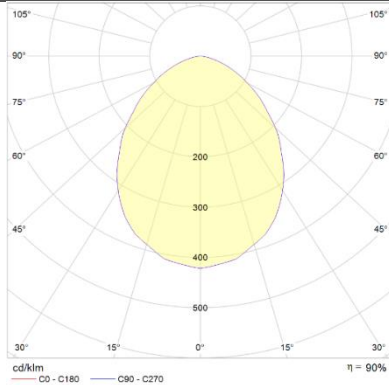
OPTICAL FEATURES

Model	N° and Type of LEDs	LED Lifespan	Light Color	CRI	Light Beam Angle	Luminous Flux	Efficiency
JB0221S01	36 Mid Power LED	60 000 h L70 **	5,000 K	80	110° diffus	~ 1100 lm	~ 85 lm/W
JB0222S01	36 Mid Power LED	60 000 h L70 **	5,000 K	80	110° diffus	~ 1100 lm	~ 85 lm/W
JB0222S02	36 Mid Power LED	60 000 h L70 **	5,000 K	80	110° diffus	~ 1100 lm	~ 85 lm/W

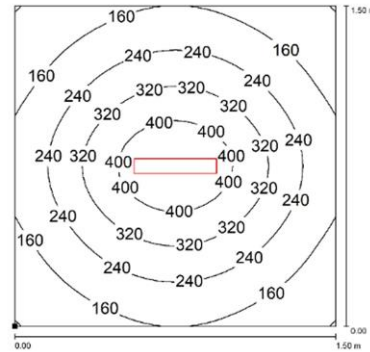
** Flow beam reduced by less than 30% after 60,000 hours

PHOTOMETRIC DIAGRAMS

110° Light beam



JB0221S01
JB0222S01
JB0222S02



Distance graphic: 1m

MOUNTING OPTIONS

Product pictures

Description

Code product



Robust, versatile vibration-resistant metal clamp made of black powder-coated stainless steel. Quick assembly on workbenches, manual machine tools, drilling machines etc.

CLAMP04



The strong neodymium magnetic base with high adhesion is the perfect solution for all applications that require both high adhesion and frequent changes in light position.

B02

ORDER CODES

Model	Description
JB0221S01	JOB BR, 12.83"(326mm), 110°, 13W, 24Vdc, Cable 5ft(1.5m)
JB0222S01	JOB BR, 12.83"(326mm), 110°, 13W, 230Vac, Cable 5ft(1.5m)
JB0222S02	JOB BR, 12.83"(326mm), 110°, 13W, 230Vac, Cable 5ft(1.5m), Dimmable
CLAMP04	Metal clamp for 2,36x2,36"(60x60mm) base
B02	Magnetic base with screw 2.36x2.36 inc.(60x60mm)