

# LYSAR LSR



Lysar LED lamps line are widely used in the textile industry sector.

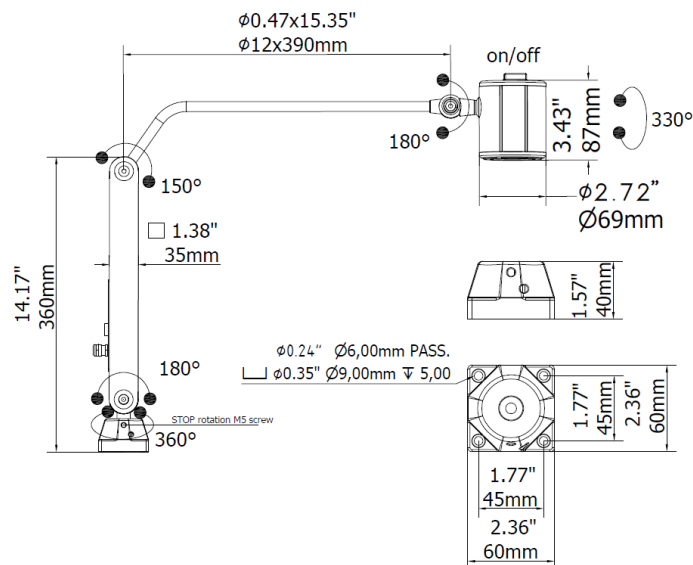
Ideal for installation on sewing machines, button hangers machine, work benches

Taking advantage of the latest technologies of high luminous efficiency LED, they are able to satisfy even the most demanding requests.

Three version available: with flex arm LSF, with articulated metallic arm LSR and with rigid chromed stem L1050.

- Paint aluminum spot lamp
- High efficiency LED technology – free maintenance
- 3 Power LED light source
- 5000 K high color
- 230 VAC power supply (internal driver LED)
- 25° - 40° lens available
- Articulated metallic arm

## DIMENSIONS



## MECHANICAL FEATURES

Model	SA0322S01	SA0322S02
Casing material	Paint aluminum spot, plastic base, paint aluminum and iron articulated arm	
Side Caps	PA66	
Surface Treatment	RAL 7035	
Front glass	PMMA Lens	
Weight	~ 2.76 lb 1,25 kg	~ 2.76 lb 1,25 kg
Protection Index	IP20	
Operating Temperature	-20 °C / + 45 °C	
Installation	Screws, CLAMP04, B02	

## ELECTRICAL FEATURES

Model	SA0322S01	SA0322S02
Power input	3 W (@350mA)	3 W (@350mA)
Power supply	100 ÷ 240 Vac - 50/60 Hz	100 ÷ 240 Vac - 50/60 Hz
Electrical connection	PVC cable 2x 0,75mmq L. 1,5 m with SCHUKOPLUG	
Insulation Class	Class I	
Efficiency Clas	A/A+/A++/A+++ (Integrated LED module) compliant with UE Law No. 874/2012	

## CONNECTION 100-240 Vac

PVC 2x 0,75 mm<sup>2</sup> L= 6.56 ft. (2 m) with Schukoplug

Conductor

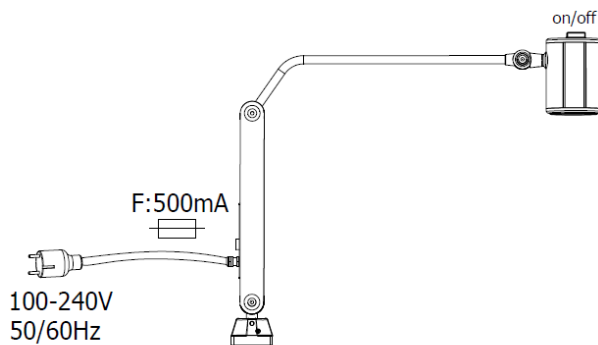
Connection

Brown

L – 230 V

Blue

N – 230V



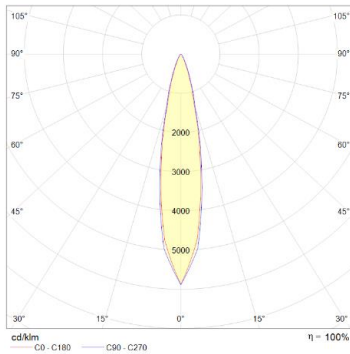
## OPTICAL FEATURES

Model	N° and Type of LEDs	LED Lifespan	Light Color	CRI	Light Beam Angle	Luminous Flux	Efficiency
SA0322S01	3 Power LED	60 000 h L70 **	5000 K	80	Lente 25°	~ 320 lm	~ 107 lm/W
SA0322S02	3 Power LED	60 000 h L70 **	5000 K	80	Lente 40°	~ 310 lm	~ 103 lm/W

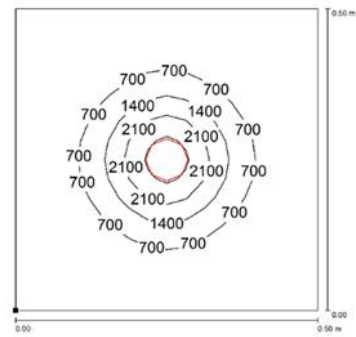
\*\* Flow beam reduced by less than 30% after 60,000 hours

## PHOTOMETRIC DIAGRAMS

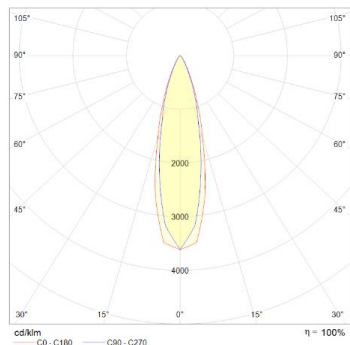
25° Optics



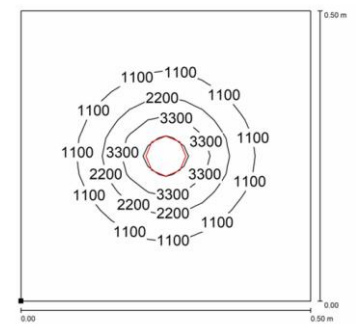
SA0322S01



40° Optics



SA0322S02



Distance graphic: 0,5 m

## MOUNTING OPTIONS

Product pictures

Description

Code



Morsetto metallico in acciaio verniciato; robusto, versatile, resistente alle vibrazioni. Per un fissaggio rapido su banchi di lavoro, macchine da cucire...

CLAMP04



Robust, versatile vibration-resistant metal clamp made of black powder-coated stainless steel. Quick assembly on workbenches, manual machine tools, drilling machines etc.

B02

## ORDER CODES

Model	Description
SA0322S01	LSR, 29.53"(750mm), 25°, 3W, 230Vac, Cable 5ft(1.5m) SCHUKO, WHITE
SA0322S02	LSR, 29.53"(750mm), 40°, 3W, 230Vac, Cable 5ft(1.5m) SCHUKO, WHITE
CLAMP04	Metal clamp for 2,36x2,36"(60x60mm) base
B02	Magnetic base with screw 2.36x2.36 inc.(60x60mm)