

LYSAR L1050



LYSAR is the ultimate solution by CCEA Lighting Solutions designed for the Textile Industry.

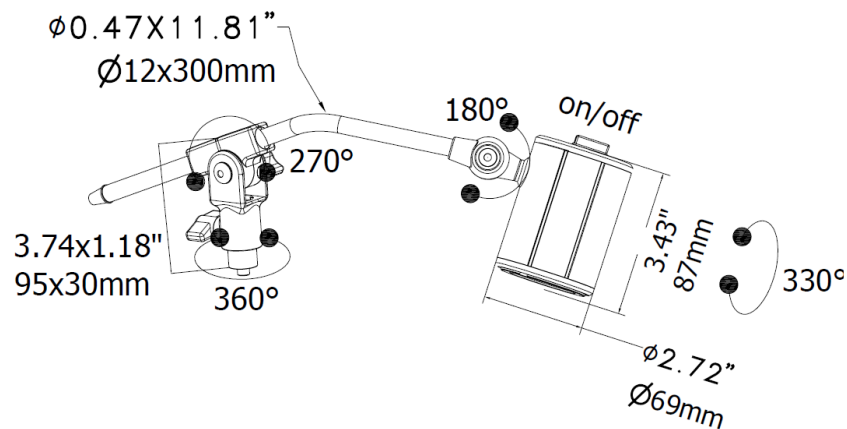
Extremely user-friendly, developed to maximize productivity, and exceptionally versatile, LYSAR Lamps are perfect for any sewing machine or table. From apparel to leather goods, from shoes to parachutes: LYSAR creates a powerful, extensive, and bright illumination, making it easy to check the quality of the sewing procedure, stitch by stitch, even far from the needle area.

LYSAR is available in four versions:

- LSF (Gooseneck, Table Mount)
- LSR (Swing Arm, Table Mount)
- L1050 (Machine Mount)
- NAEHM (Gooseneck, Machine Mount)

- Durable aluminum head
- Clear Vision, maintenance-free highly efficient LED technology
- 3 Power LEDs
- 5000° K light temperature
- 230 VAC power supply (external LED driver)

DIMENSIONS



MECHANICAL FEATURES

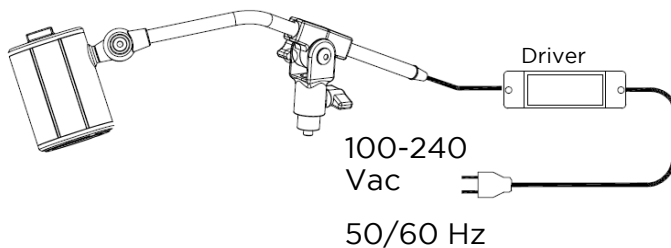
Model	RT0322S08
Casing material	Paint aluminum spot, rigid chromed stem
Side Caps	PA66
Surface Treatment	RAL 7035
Front glass	PMMA Lens
Weight	~ 1.98 lb 0,9 kg
Protection Index	IP40
Operating Temperature	-20 °C / + 45 °C
Installation	Articulated joint with M8 screw

ELECTRICAL FEATURES

Model	RT0322S08
Power input	3 W (@350mA)
Power supply	100 ÷ 240 Vac - 50/60 Hz
Electrical connection	Cable 2x 0,34 mmq L. 1,5 m + PVC cable 2x 0,75mmq L.2 m with EUROPLUG
Insulation Class	Class II
Efficiency Clas	A/A+/A++/A+++ (Integrated LED module) compliant with UE Law No. 874/2012

CONNECTION 100-240 Vac

2x 0,34 mm² L=4.92 ft (1,5 m) + PVC 2x 0,75 mm² L= 6.56 ft (2 m) with EUROPLUG



Conductor	Connection
Brown	+ LED (out driver)
White	- LED (out driver)

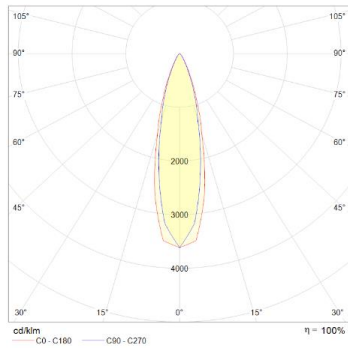
OPTICAL FEATURES

Model	N° and Type of LEDs	LED Lifespan	Light Color	CRI	Light Beam Angle	Luminous Flux	Efficiency
RT0322S08	3 Power LED	60 000 h L70 **	5000 K	80	Lens 40°	~ 310 lm	~ 103 lm/W

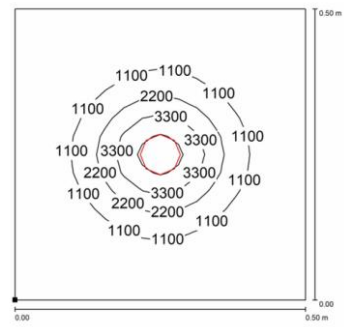
** Flow beam reduced by less than 30% after 60,000 hours

PHOTOMETRIC DIAGRAMS

40° Optics



RT0322S08



Distance graphic: 0,5m

ORDER CODES

Model	Description
RT0322S08	L1050, 11.81"(300mm), 40°, 3W, 230Vac, Cable 6.5ft(2m) Europlug, blue ring, WHITE