

TEIDE  
Series

ENGLISH

24 VDC

Installation Manual



## Table of contents

1. Product description.....	3
2. Safety Warnings .....	4
2.1 Proper use .....	4
2.2 Product safety .....	4
2.3 Risk levels.....	6
3. Available versions.....	7
4. Guide to installation .....	8
4.1 Product sizes .....	8
4.2 Mounting accessories.....	8
4.3 Installation .....	9
5. Plug-in .....	11
5.1 Low voltage plug-in with M12 connector.....	11
5.2 Power cord .....	12
6. Switch on-Switch off .....	13
7. Problem solving .....	13
8. Light source replacement .....	13
9. Product maintenance and cleaning .....	13
10. Repairs.....	14
11. Warranty .....	14
12. Product Disposal .....	14
13. Technical data... ..	15
14. Meaning of symbol keys .....	16
15. Declaration of conformity.....	17

## 1. Product Description

TEIDE is a series of compact, low profile LED lighting. Designed for both interior and industrial applications such as switchboard illumination and beverage machines. Highly efficient flow beam is delivered using the latest LED Technology. Side fastening clips allow an adjustment of the direction of the light flow up to 70°. Five different lengths offer installation flexibility for a wide variety of uses.

The compact size allows for easy integration into existing systems, while providing exceptional energy efficiency and low voltage safety.

- Structure made of anodized aluminum
- 0.94 inch (24 mm) wide or 1.18 inch (30 mm) wide
- Cover PC Frosted Opaque or Cover in PMMA, transparent Acrylic
- Mid Power LED
- 24Vdc via M12-connector
- 5000 K – CRI80 – 120°
- 50% Energy Saving
- 5 length

## 2. Safety instructions

Each lighting device in the **TEIDE** series was designed and manufactured based on state-of-the-art techniques.

It is made of well-selected, high-quality materials. It is carefully tested throughout the production process, from the raw material through to packaging, following a detailed production schedule so as to guarantee that the product is safe and reliable.

Material damages, as well as body injuries, may nevertheless still occur while using it.



- This manual is part of the equipment and must always be kept with it.
- Please make sure that ALL instructions/information in this manual are carefully read through
- Strict compliance with the instructions provided in this manual and on the lighting equipment is required for its correct use
- Installation and use of the product is recommended only provided it is in perfect conditions, and the user is

well-acquainted with all safety instructions

- CCEA, the manufacturer, waives any responsibility in case of product tampering or improper use

### 2.1 Proper use of the product

This lighting equipment is fit for being installed inside machine tools, even in a wet environment.

### 2.2 Product Safety

#### Electrical Risks

The improper and incorrect use of the equipment may cause bodily injuries and material damages.

- All electrical connection procedures must be carried out by a licensed electrician
- Switch off the power supply before any installation, maintenance or reparation procedures.
- Please ensure that the power supply rated tension and frequency meets the requirements shown on the product label. Please respect cable polarity.
- Maintenance and reparations must only be carried out by qualified electricians.

#### Risk of explosion

Risk of explosion might occur upon installing and using this product for applications with a high risk of

explosion. It might cause severe body injuries.

- **Do not** install and use this product in hazardous environments (high risk of explosion).

### **Installation and safety**

- Handle the lamp with care and avoid having it drop or being hit even it is still packed, which might cause body injuries, as well as material damages.
- Ensure the original mounting accessories are used, as available from the manufacturer.
- Set up the mounting accessories properly.
- The equipment must be correctly fastened using the proper screws according to the application, place and surface where the product is being mounted.
- Ensure that the fastenings are regularly checked.

### **Danger of dazzling glare due to a white light source**

Avoid staring directly at the light source, as it may cause a temporary reduction of vision. Irritation, aches, damages or accidents may as well occur.

- Avoid staring directly at the light source.
- The device must be adjusted so as to avoid having the light flow directed towards the eyes.

### **Danger caused by inappropriate spare parts.**

Using inappropriate spare parts may cause bodily injuries and material damages.

- **Do not** use spare parts that have not approved by the manufacturer.

### **Damage caused by the presence of laser beams**

Use of the TEIDE LED lighting equipment **is not** allowed when a high-power laser – see: a laser cutting system - is operating, since it may damage the LED source.

### **Danger due to high temperatures**

Installing and using the equipment in all the environments where the existing temperature remarkably exceeds the foreseen operating temperature will considerably reduce LED lifetime while damaging as well the built-in electronic components.

- **Do not** use this Device in environments where the operating temperature of the device is exceeded.
- **Operating temperature -4/+113°F (-20/+45°C)**
- Avoid direct solar radiation.

### **Danger due to repairs**

Having the product disassembled or repaired without any appropriate technical /electrical knowledge may cause damages to persons and objects.

- **Do not** try to repair or disassemble the equipment. Please apply to qualified technicians for any issues.
- Any product tampering or modifications not having been approved by the manufacturer will null and void the warranty .

## 2.3 Damage risk levels



### DANGER

Dangers where noncompliance may **immediately** severe injuries and eventually lead to death.



### WARNING

Dangers where failure to satisfy requirements **may** lead to severe injuries or even death.



### ATTENTION

Dangers where failure to satisfy requirements **may** lead to injuries.

### NOTICE

Dangers where failure to satisfy requirements **may** cause damages to objects.

### 3. Available versions

Please refer to the table hereunder listing all the lighting equipment, for you to identify the version you need and its main features, for you to have the lighting equipment correctly and efficiently installed and used.

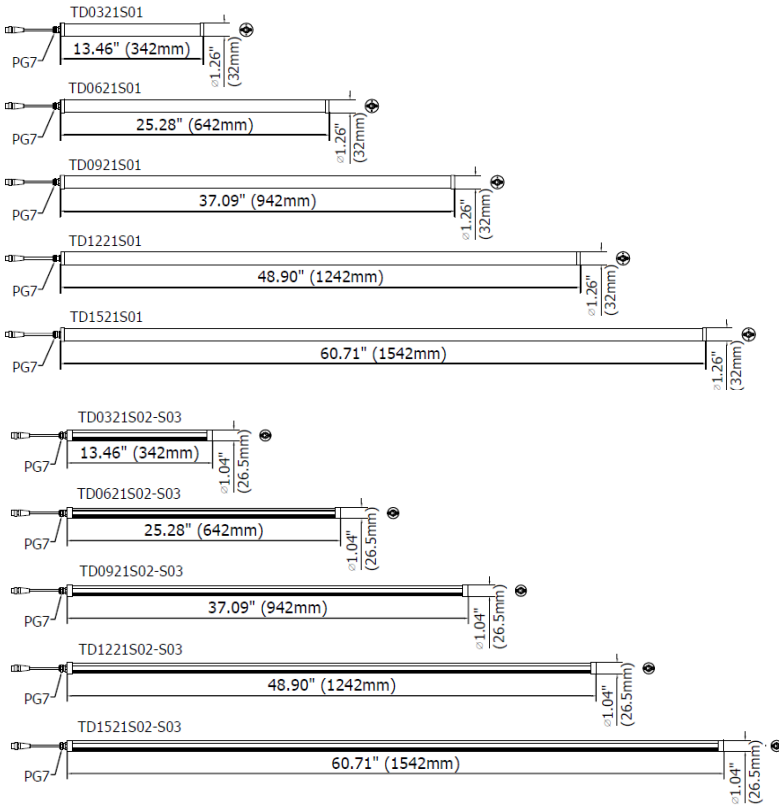
**Note:** The product code is found on the brand name label stuck on the product's backside.

- Find out the product code printed on the brand name label and see if you find it on the table hereunder;
- Compare the codes and see if you can identify the same model on the table hereunder;
- The code printed on the brand name label shows the device's week and year of production.

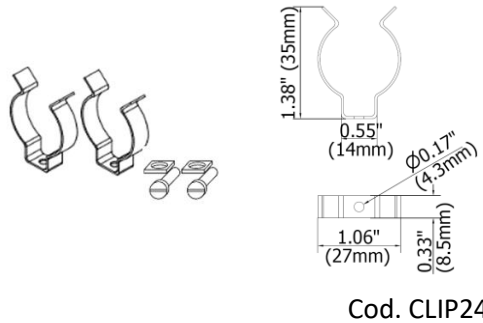
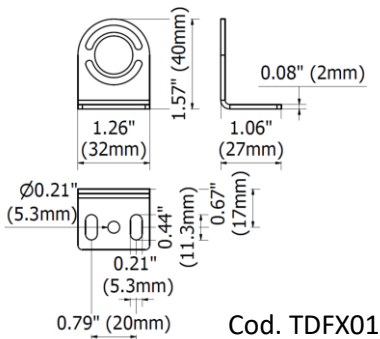
POWER S Versions, Ø1.26" (32mm)							
Model	Length	Optics		Power	Power Usage	E Connection	Weight
TD0321S01	342mm	Diffuser	120°	10W	24Vdc	CABLE 10 ft (3mt) with M12-A 3P	0.95 lb (0.45 kg)
TD0621S01	642mm	Diffuser	120°	20W	24Vdc	CABLE 10 ft (3mt) with M12-A 3P	1.43 lb (0.65 kg)
TD0921S01	942mm	Diffuser	120°	30W	24Vdc	CABLE 10 ft (3mt) with M12-A 3P	1.76 lb (0.80 kg)
TD1221S01	1242mm	Diffuser	120°	40W	24Vdc	CABLE 10 ft (3mt) with M12-A 3P	2.40 lb (1.1 kg)
TD1521S01	1542mm	Diffuser	120°	50W	24Vdc	CABLE 10 ft (3mt) with M12-A 3P	3.31 lb (1.50 kg)
POWER Q Versions, Ø0.95" (24mm)							
Model	Length	Optics		Power	Power Usage	E Connection	Weight
TD0321S02	342mm	Diffuser	120°	10W	24Vdc	CABLE 10 ft (3mt) with M12-A 3P	0.77 lb (0.35 kg)
TD0621S02	642mm	Diffuser	120°	20W	24Vdc	CABLE 10 ft (3mt) with M12-A 3P	1.10 lb (0.50 kg)
TD0921S02	942mm	Diffuser	120°	30W	24Vdc	CABLE 10 ft (3mt) with M12-A 3P	1.65 lb (0.75 kg)
TD1221S02	1242mm	Diffuser	120°	40W	24Vdc	CABLE 10 ft (3mt) with M12-A 3P	2.20 lb (1.00 kg)
TD1521S02	1542mm	Diffuser	120°	50W	24Vdc	CABLE 10 ft (3mt) with M12-A 3P	2.87 lb (1.30 kg)
ECO Versions, Ø0.95" (24mm)							
Model	Length	Optics		Power	Power Usage	E Connection	Weight
TD0321S03	342mm	Diffuser	120°	5W	24Vdc	CABLE 10 ft (3mt) with M12-A 3P	0.77 lb (0.35 kg)
TD0621S03	642mm	Diffuser	120°	10W	24Vdc	CABLE 10 ft (3mt) with M12-A 3P	1.10 lb (0.50 kg)
TD0921S03	942mm	Diffuser	120°	15W	24Vdc	CABLE 10 ft (3mt) with M12-A 3P	1.65 lb (0.75 kg)
TD1221S03	1242mm	Diffuser	120°	20W	24Vdc	CABLE 10 ft (3mt) with M12-A 3P	2.20 lb (1.00 kg)
TD1521S03	1542mm	Diffuser	120°	25W	24Vdc	CABLE 10 ft (3mt) with M12-A 3P	2.87 lb (1.30 kg)

## 4. Guide to installation

### 4.1 Product sizes and accessories



### 4.2 TEIDE side mounting brackets





### 4.3 Installation



## ATTENTION

### The lamp fall-down may cause damage to persons and objects

- When mounting the lamp ensure that the original fastenings are used, which you may purchase from the supplier.
- Have the fastening accessories correctly mounted.



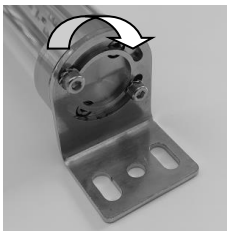
## WARNING

### Switch off the power supply before proceeding to installation.

### Correct installation using only the original fastenings TDFX01 (for only S01 lamp version)

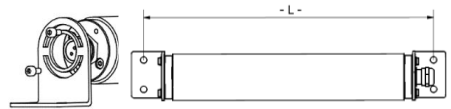
The TEIDE mounting accessories are made of:

- N.2 side fasteners of chrome-plated steel with M3 fixing screws and steel handle washers.
- Direction of the luminous flux adjustable at +/- 70°.



### Installation with TDFX01 side-mounting brackets

- Hook the two side brackets on the lamp sides using the 2 screws provided.
- Bore the fixing holes on the machine surface, as shown hereunder (Side mounting pitch):

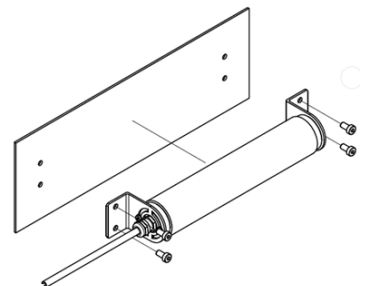


#### Model

#### -L-

TD032...	7.91" (376mm)
TD062...	13.22" (676mm)
TD092...	18.54" (976mm)
TD122...	18.54" (1276mm)
TD152...	18.54" (1576mm)

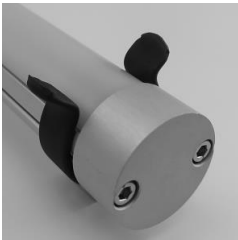
- After the mounting holes have been made, fix the lamp to the machine structure using M5 screws of at least 8 mm. length (2 screws for each fastener). The plate where the lamp will be mounted has to be at least 2 mm thick.



- The lamp position can be adjusted by rotating the same with respect to the standing surface once the two M3 screws on each side have been loosened. Once the right position is found, tighten both screws (see picture hereunder).

### Installation with CLIP24

- Fasten the metal clips to the dedicated installation structure.
- Clip the lamp and adjust the light beam direction.



## NOTICE

### Damaged or broken lamp.

- When side mounting the lamp ensure to never completely loosen the M3 screws allowing for lamp rotation, to avoid having the lamp fall down.
- The side fasteners must be checked on a regular basis and the M5 screws on the brackets tightened to the machine surface.

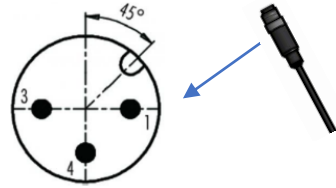
NOTE: The mounting parts for this lamp are available as accessories. Please For further details, please visit our website: [www.ccealights.com](http://www.ccealights.com)

## 5. Plug-in

### NOTICE

#### Material damages caused by liquid leakage

- Use a connector securing the same degree of protection as the lamp, if not greater.
- Ensure that the power cord is correctly plugged into the female connector.



#### Standard version: M12 3P Male connector A Coding (on the lamp)

PIN	Connection
1	DC + (24VDC)
3	DC - (0VDC)
4	Not connected

### 5.1 Low voltage plug-in with M12 connector

### NOTICE

#### Wrong wiring may cause damages to the lamp

- All electrical connections have to be carried out by qualified electricians.
- Please respect the polarity of connectors
- Always use the power cord supplied with the lamp.

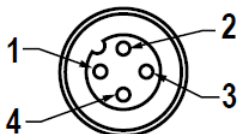
### NOTICE

Ensure that the supply voltage range to the lamp is closely respected in order to avoid damaging the Led drivers **22 ÷ 26VDC**

## 5.2 Pre-assembled Power Cord for M12 Lighting

### DESCRIPTION

Cod. **M12AFC5**: M12 4 poles A Coding, connector female with pre-assembled UL PVC Cable 4X0,75mmq. Cross-section.



PICTURE.08

PIN	connection	conductor
1	DC + (24VDC)	brown
2	Not connected	white
3	DC – (0VDC)	blue
4	Not connected	black

## 6. Switch on – Switch off

- The lamp is not equipped with an independent switch on-switch off system.
- The lamp will switch on when plugged-in and switch off when the power is off.

## 7. Problem solving

In case the lamp doesn't turn on:

- Check that the lamp is properly wired to the supply voltage.
- Check that polarity wiring has been carried out correctly.

Please contact CCEA'S Technical support service in case the lamp is defective

**CCEA Technical Support Service**  
**Phone: +39 0444 572083**  
[ccea@ccealights.com](mailto:ccea@ccealights.com)  
[www.ccealights.com](http://www.ccealights.com)

## 8. Replacing the LED light source

The outstanding lifetime of the LED light source, over 60.000 hours, makes it unnecessary to replace the PCB LED if the lamp is properly installed and used following the instructions in this manual. Please contact CCEA's Technical Support service - or your Reseller – in case the replacement of the PCB LED is needed for any defects not covered by the warranty.

## 9. Product maintenance and cleaning



### WARNING

**Switch off the power supply before any installation, maintenance or reparation procedures.**

This product is maintenance-free.

- Lamp cleaning to be carried out only after it has been switched off and surfaces have cooled.
- Carefully rinse the lamp surface with a mild cleanser and then wipe off using a soft cloth in order to avoid scoring it.

### NOTICE

**All material damages caused by liquid leakage may damage the lamp.**

- In case the lamp is working in environments where lubricants or coolers are present, all cleaning operations should be carried out at the end of the working cycle.

## 10. Repairs

### NOTICE

#### All material damages caused by poorly executed repairs may damage the lamp

- All repairs must be carried out by the manufacturer or by qualified technicians.
- Only use spare parts having been approved by the manufacturer.

- Any unauthorized repairs or attempts to repair the product;
- Equipment operation under environmental conditions other than those specified in the user manual;
- Liquid leakages inside the lamp;
- Failure to follow the safety precautions related to transport and shipping the product back for repair (please make sure to have it shipped back in its original case).

## 11. Warranty

### Terms of warranty

CCEA ensures that any control procedures or repairs – to be carried out exclusively at/by CCEA Technical service dept. or by any CCEA'S official dealer – are covered throughout the entire product's lifetime. In view of the above, take care to preserve the product label and case, to be submitted if any repair operations are needed.

All repair and spare parts costs will be notified after the defects have been examined.

The warranty does not cover:

- Any transport, packaging or shipping costs;
- Any damages or deterioration caused by:
  - Installation and/or operation carried out following different ways;

### Period of warranty

The warranty period covers 24 months, starting from the delivery date. CCEA guarantees that the products have no manufacturing defects or malfunctioning.

## 12. Product disposal (EU Regulations)

All the electrical and electronic equipment (WEEE) have to be managed with selective waste sorting and cannot be disposed of as municipal waste, as provided for in Directive 2012/19/Ue.

In view of the above this equipment, all its components, subsystems and the consumables which are an integral part of the product have to be conveyed to the local collection facilities for them to be disposed of in accordance with the current legislation.

Please apply to the council offices of your place of residence in order to know where the collection facilities are located.






### 13. Technical data

**NOTE: Please refer to the data printed on the label or engraved on the lamp.**

Power supply	22÷26 VDC
Power input	10-20-30-40-50W 5-10-15-20-25W (see label)
IEC Class	III
Degree of protection	IP67 compatible with NEMA type 12
LED driver	I.D.S. (Integrated System Driver)
Light color temperature	5000K
CRI	80
Operating temperature	-4/+113°F -20/+ 45°C

For any further information please refer to the table on page 7.

## 14. Symbol keys

	CE Conformity marking
	Protection class III device
<b>IP67</b>	Degree of protection IP67
	<b>WARNING:</b> <b>Cancer and Reproductive Harm</b> <a href="http://www.P65Warnings.ca.gov">www.P65Warnings.ca.gov</a>



## 15. Declaration of Conformity

C.C.E.A. SRL, via Piave, 2 - 36077 Altavilla Vicentina (VI), Italy – VAT and Tax number 02374040240 hereby declares that the light equipment named TEIDE – to which the present Declaration of Conformity is related - was manufactured by CCEA SRL in accordance with the following Directives: 2014/35/UE on Low Voltage Equipment Safety and the Directive of Electromagnetic Compatibility 89/336/CEE (EMC) 2014/30/UE. The unit complies in particular with the following regulations:

- **Directives:**



**Machinery Directive 2006/42/EC**  
**Low Voltage Directive 2014/35/EU**  
**EMC Directive 2014/30/EU**

- **Harmonized Standards**

- CEI EN 60598-1 “Lighting equipment. Part 1: General instructions and tests”
- CEI EN 60598-2-4 “Lighting equipment part 2: particular requirements – part 4 Portable general-purpose luminaries”.
- CEI EN 62031 “LED modules for general lighting. Safety specifications”.
- CEI EN 62384 “DC or AC supplied electronic control gear for LED modules. Performance requirements”.

This is a standard product manufactured following a detailed production schedule ensuring that inspections and destructive tests were carried out, for a safe, functional and sustainable product to be delivered.

C.C.E.A. SRL disclaims any responsibility resulting from tampering and/or wrong use of the device.

Date: \_\_\_\_\_

Week of production: \_\_\_\_\_

Product code: \_\_\_\_\_

**C.C.E.A. s r l**  
Via Piave, 2  
36077 Altavilla Vicentina (VI) - Italy  
Tel. ++39 0444 572083  
Fax. ++39 0444 572337  
E-mail: ccea@ccealights.com  
www.ccealights.com