

MECHANICAL FEATURES

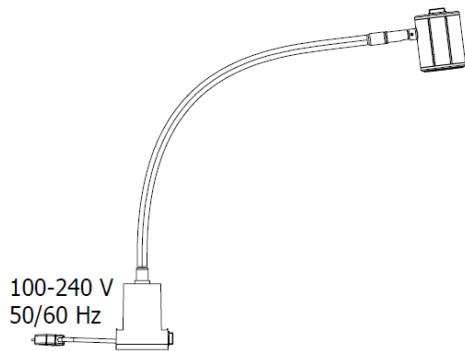
Model	SF0322S01	SF0322S02	SF0322S03	SF0322S04
Casing material	Paint aluminum spot, plastic base, flexible steel stem covered by sheath			
Side Caps	PA66			
Surface Treatment	RAL 7035			
Front glass	PMMA Lens			
Weight	~ 3.09 lb 1,4 kg	~ 3.09 lb 1,4 kg	~ 3.09 lb 1,4 kg	~ 3.09 lb 1,4 kg
Protection Index	IP40			
Operating Temperature	-20 °C / + 45 °C			
Installation	Screws, CLAMP03, B01			

ELECTRICAL FEATURES

Model	SF0322S01	SF0322S02	SF0322S03	SF0322S04
Power input	3 W (@350mA)	3 W (@350mA)	3 W (@350mA) dimmerabile	3 W (@350mA) dimmerabile
Power supply	100 ÷ 240 Vac - 50/60 Hz		220 ÷ 240 Vac - 50/60 Hz	
Electrical connection	PVC cable 2x 0,75mmq L.2 m with EUROPLUG			
Insulation Class	Class II			
Efficiency Clas	A/A+/A++/A+++ (Integrated LED module) compliant with UE Law No. 874/2012			

CONNECTION 100-240 Vac

PVC 2x 0,75 mm² L= 6.56 ft. (2 m) with Europlug



Conductor

Connection

Brown

L – 230 V

Blue

N – 230V

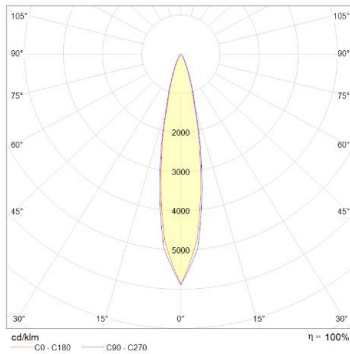
OPTICAL FEATURES

Model	N° and Type of LEDs	LED Lifespan	Light Color	CRI	Light Beam Angle	Luminous Flux	Efficiency
SF0322S01	3 Power LED	60 000 h L70 **	5000 K	80	25° Optics	~ 320 lm	~ 107 lm/W
SF0322S02	3 Power LED	60 000 h L70 **	5000 K	80	40° Optics	~ 310 lm	~ 103 lm/W
SF0322S03	3 Power LED	60 000 h L70 **	5000 K	80	25° Optics	~ 320 lm DIM	~ 107 lm/W
SF0322S04	3 Power LED	60 000 h L70 **	5000 K	80	40° Optics	~ 310 lm DIM	~ 103 lm/W

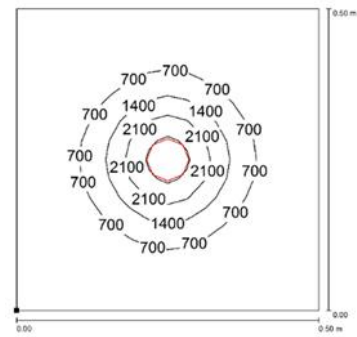
** Flow beam reduced by less than 30% after 60,000 hours

PHOTOMETRIC DIAGRAMS

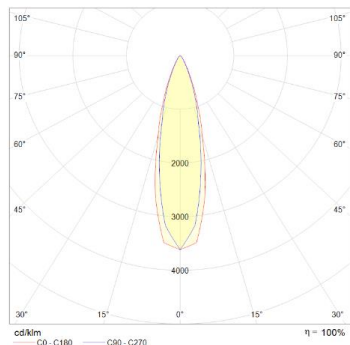
25° Optics



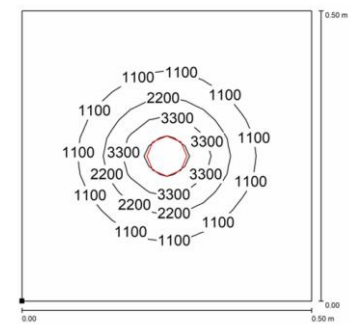
SF0322S01 / SF0322S03



40° Optics



SF0322S02 / SF0322S04



Distance graphic: 0,5 m

MOUNTING OPTIONS

Product pictures

Description

Code



Robust, versatile vibration-resistant metal clamp made of stainless steel. Quick assembly on workbenches, sewing machines etc.

CLAMP03



The strong neodymium magnetic base with high adhesion is the perfect solution for all applications that require both high adhesion and frequent changes in light position.

B01

ORDER CODES

Modello	Descrizione
SF0322S01	LSF, 27.56"(700mm), 25°, 3W, 230Vac, Cable 6.5ft(2m) Europlug, WHITE
SF0322S02	LSF, 27.56"(700mm), 40°, 3W, 230Vac, Cable 6.5ft(2m) Europlug, WHITE
SF0322S03	LSF, 27.56"(700mm), 25°, 3W, DIM, 230Vac, Cable 6.5ft(2m) Europlug, WHITE
SF0322S04	LSF, 27.56"(700mm), 40°, 3W, DIM, 230Vac, Cable 6.5ft(2m) Europlug, WHITE
CLAMP03	Metal clamp for 2,36x2,36"(80x63mm) base
B01	Magnetic base with screw 3.15x2.48 inc.(80x63mm)