



LYSAR is the ultimate solution by CCEA Lighting Solutions designed for the Textile Industry.

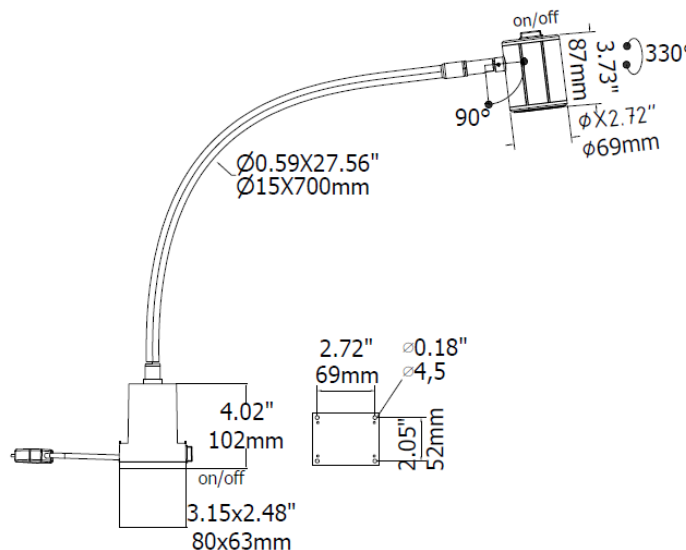
Extremely user-friendly, developed to maximize productivity, and exceptionally versatile, LYSAR Lamps are perfect for any sewing machine or table. From apparel to leather goods, from shoes to parachutes: LYSAR creates a powerful, extensive, and bright illumination, making it easy to check the quality of the sewing procedure, stitch by stitch, even far from the needle area.

LYSAR is available in four versions:

- LSF (Gooseneck, Table Mount)
- LSR (Swing Arm, Table Mount)
- L1050 (Machine Mount)
- NAEHM (Gooseneck, Machine Mount)

- Durable aluminum head
- Clear Vision, maintenance-free highly efficient LED technology
- 3 Power LEDs
- 5000° K light temperature
- 230 VAC power supply (internal LED driver)

DIMENSIONS



MECHANICAL FEATURES

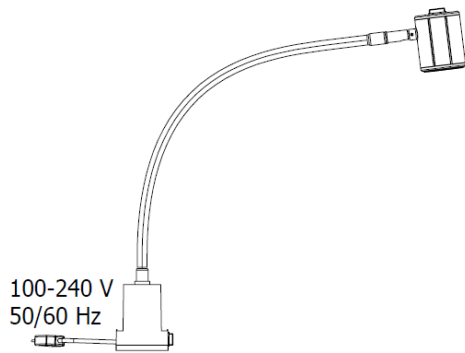
Model	SF0322S06	SF0322S08
Casing material	Paint aluminum spot, plastic base, flexible steel stem covered by sheath	
Side Caps	PA66	
Surface Treatment	RAL 7035	
Front glass	PMMA Lens	
Weight	~ 3.09 lb 1,4 kg	~ 3.09 lb 1,4 kg
Protection Index	IP40	
Operating Temperature	-20 °C / + 45 °C	
Installation	Screws, CLAMP03, B01	

ELECTRICAL FEATURES

Model	SF0322S06	SF0322S08
Power input	3 W (@350mA)	3 W (@350mA) dimmable
Power supply	100 ÷ 240 Vac - 50/60 Hz	220 ÷ 240 Vac - 50/60 Hz
Electrical connection	PVC cable 2x 0,75mmq L.2 m with EUROPLUG	
Insulation Class	Class II	
Efficiency Class	A/A+/A++/A+++ (Integrated LED module) compliant with UE Law No. 874/2012	

CONNECTION 100-240 Vac

PVC 2x 0,75 mm² L= 6.56 ft. (2 m) with Europlug



Conductor	Connection
Brown	L - 230 V
Blue	N - 230V

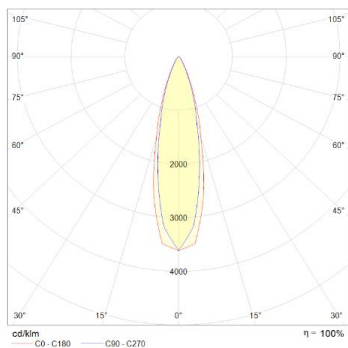
OPTICAL FEATURES

Model	N° and Type of LEDs	LED Lifespan	Light Color	CRI	Light Beam Angle	Luminous Flux	Efficiency
SF0322S06	3 Power LED	60 000 h L70 **	5000 K	80	40° Optics	~ 310 lm	~ 103 lm/W
SF0322S08	3 Power LED	60 000 h L70 **	5000 K	80	40° Optics	~ 310 lm DIM	~ 103 lm/W

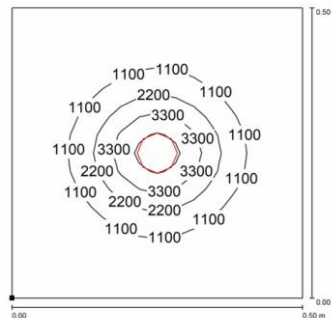
** Flow beam reduced by less than 30% after 60,000 hours

PHOTOMETRIC DIAGRAMS

40° Optics





SF0322S06 / SF0322S08



Distance graphic: 0,5 m

MOUNTING OPTIONS

Product pictures	Description	Code
	Robust, versatile vibration-resistant metal clamp made of stainless steel. Quick assembly on workbenches, sewing machines etc.	CLAMP03
	The strong neodymium magnetic base, is the perfect solution for all applications that require both high adhesion and frequent changes of light position.	B01

ORDER CODES

Model	Description
SF0322S06	LSF, 27.56"(700mm), 40°, 3W, 230Vac, Cable 6.5ft(2m) Europlug, blue ring, RAL7035
SF0322S08	LSF, 27.56"(700mm), 40°, 3W, DIM, 230Vac, Cable 6.5ft(2m) Europlug, blue ring, RAL7035
CLAMP03	Metal clamp for 2,36x2,36"(80x63mm) base
B01	Magnetic base with screw 3.15x2.48 inc.(80x63mm)