



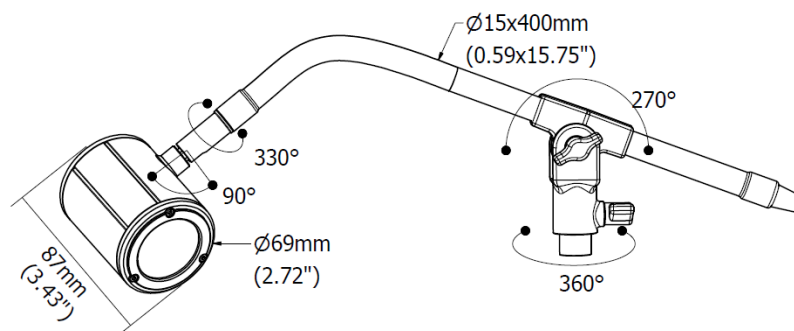
Lysar LED lamps line are widely used in the textile industry sector.

Ideal for installation on sewing machines, button hangers machine, work benches

Taking advantage of the latest technologies of high luminous efficiency LED, they are able to satisfy even the most demanding requests.

- Paint aluminum spot lamp
- High efficiency LED technology – free maintenance
- 3 Power LED light source
- 5000 K high color
- 230 VAC power supply (internal driver LED)
- 40° PMMA focused lens
- Flex arm version

## DIMENSIONS



## MECHANICAL FEATURES

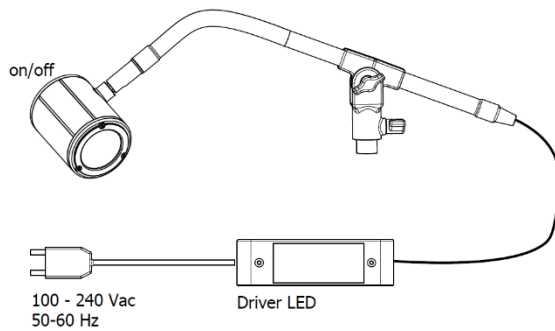
Model	NA0322S01
Casing material	Paint aluminum spot, flexible steel stem covered by sheath
Side Caps	PA66
Surface Treatment	RAL 7035
Front glass	PMMA Lens
Weight	~ 2.09 lb 0,95 kg
Protection Index	IP40
Operating Temperature	-20 °C / + 45 °C
Installation	Screws, CLAMP03, B01

## ELECTRICAL FEATURES

Model	NA0322S01
Power input	3 W (@350mA)
Power supply	100 ÷ 240 Vac - 50/60 Hz
Electrical connection	PVC cable 2x 0,34 mm <sup>2</sup> L. 1,5 m + PVC cable 2x 0,75mm <sup>2</sup> L.2 m with EUROPLUG
Insulation Class	Class II
Efficiency Clas	A/A+/A++/A+++ (Integrated LED module) compliant with UE Law No. 874/2012

## CONNECTION 100-240 Vac

PVC 2x 0,34 mm<sup>2</sup> L=4.92 ft (1,5 m) + PVC 2x 0,75 mm<sup>2</sup> L= 6.56 ft (2 m) with EUROPLUG



Conductor	Connection
Brown	+ LED (out driver)
White	- LED (out driver)

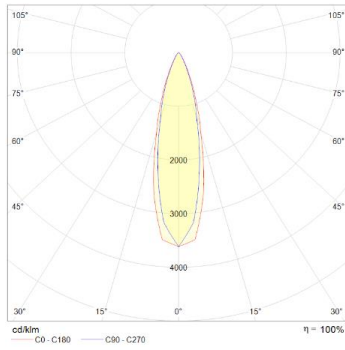
## OPTICAL FEATURES

Model	N° and Type of LEDs	LED Lifespan	Light Color	CRI	Light Beam Angle	Luminous Flux	Efficiency
NA0322S01	3 Power LED	60 000 h L70 **	5000 K	80	40° Optics	~ 310 lm	~ 103 lm/W

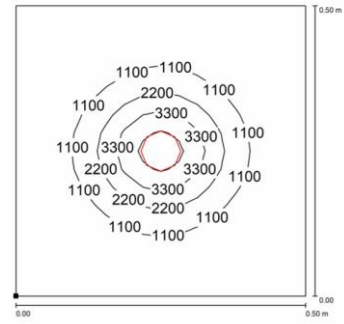
\*\* Flow beam reduced by less than 30% after 60,000 hours

## PHOTOMETRIC DIAGRAMS

40° Optics



NA0322S01



Distance graphic: 0,5 m

## ORDER CODES

Modello	Descrizione
NA0322S01	NAEHM, 400mm, 40°, 3W, 230Vac, Cable 6.5ft(2m) Europlug