

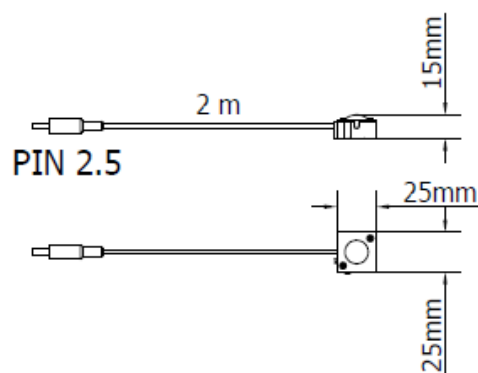
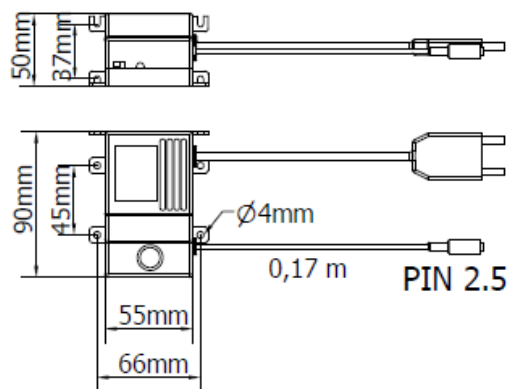
## K3LED2W



LED lighting KIT made up of magnetic LED module and stabilized current LED driver.

- High efficiency LED technology – free maintenance
- 5000 K light color
- Magnetic fixing
- 230 VAC power supply with external LED driver
- Dimmable

### DIMENSIONS



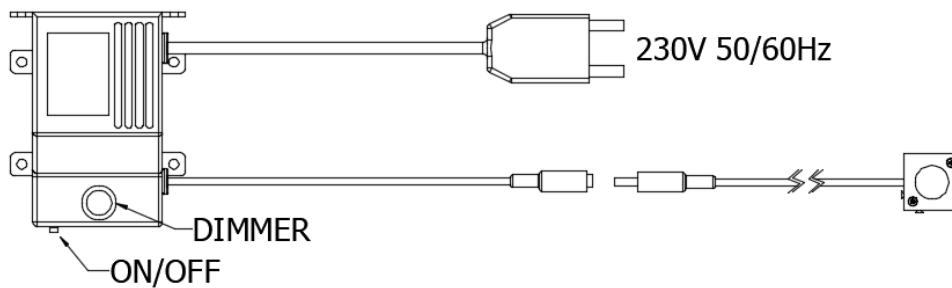
## A5LED1W FEATURES (DRIVER)

Power usage	2 W
Power supply	230 Vac
Light source	-
Electrical connection	Europlug + 2.5 mm DC power socket
Housing	ABS
Protection index	IP40
Front protection	-
Operating temperature	-20°C to + 45°C (-04°F to +113°F)
Weight	0,40 kg (0,82 lb)
Agency approval	CE, RoHS
Mounting	Screws

## L3LED FEATURES (LED)

Power usage	2 W
Power supply	3.8 Vdc
Light source	LED
Electrical connection	2.5 mm DC power plug
Housing	ABS
Protection index	IP40
Front protection	Polycarbonate
Operating temperature	-20°C to + 45°C (-04°F to +113°F)
Weight	0,05 kg (0,07 lb)
Agency approval	CE, RoHS
Mounting	Magnetic

## 230 VAC ELECTRICAL CONNECTION WITH LED DRIVER

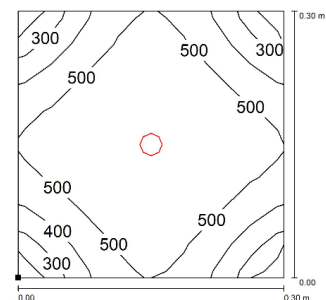
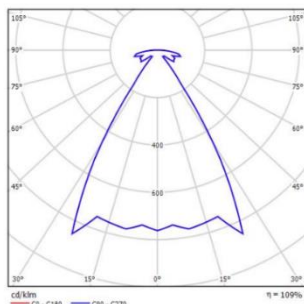


## OPTICAL FEATURES

Model	N° and Type of LEDs	LED Lifespan	Light Color	CRI	Light Beam Angle	Luminous Flux	Efficiency
L3LED	1 Power LED	60 000 h L70 **	5000 K	80	120°	~ 85 lm	~ 43 lm/W

\*\* Flow beam reduced by less than 30% after 60,000 hours

## PHOTOMETRIC DIAGRAMS



Distance graphic: 0,3 m

## ORDER CODES

Model	Description
L3LED	1 LED, MAGNET, 2W, 3.8 Vdc, 500 mA max, 5000K, 2 m cable, plug-pin 2.5
A5LED1W	DRIVER 2W 230V CAVO 2M
K3LED2W	KIT 1 LED, MAGNET, 2W, 230VAC 2.0 m