

MYROS

Installation Manual

ENGLISH



Table of contents

1. Product description	3
2. Safety Warnings	4
2.1 Proper use	4
2.2 Safety instructions	4
2.3 Levels of risk	6
3. Versions	7
4. Guide to installation	8
4.1 Product Sizes	8
4.2 Installation.....	9
5. Connection	10
5.1 Plug-in 24VDC with M12	10
5.2 Option for connection	11
6. Switch on- Switch off	12
7. Troubleshooting	12
8. Light source replacement	12
9. Product maintenance and cleaning	12
10. Repairing.....	13
11. Warranty	13
12. Product disposal	13
13. Technical features	14
14. Symbols meaning	14
15. Declaration of compliance	15

1. Product description



- LED lighting equipment suitable for small and medium industrial machine tools.
- Anodized aluminum structure
- 4 mm tempered glass protection
- PMMA internal diffuser
- High power Led light source
- White 5000K light colour
- Uniform and diffused light beam
- Resistant to vibrations
- IP 67 degree of protection lamp
- Plug-in to 24VDC with M12 connector

2. Safety Warnings

Each lighting device if the **MYROS** Series has been designed and manufactured according to the state-of-the-art technique. It is made of well-selected quality materials. It is carefully tested beginning from raw materials throughout the production process as far as packaging according to a manufacturing schedule in order to guarantee a safe and reliable product.

Nevertheless, it might cause material damages as well as injuries to people while it is used.



- This manual must be kept close to the apparatus. It is an integral part of it.
- Read all the instructions and information contents by the manual.
- Warnings indicated by the instructions and on the product itself must strictly be followed.
- Considering warnings and safety risks, install and use the product only if in perfect conditions.
- CCEA refuses any responsibility in case of tampering or wrong use of the product itself.

2.1 Proper use for employment

The lighting device MY0121S01 is suitable for being installed inside machine tools as well as in wet environment.

2.2 Product Safety

Electrical Risks

If the product is incorrectly used, it might cause injuries to people and material damages to objects.

- Connection procedure must be carried out by a qualified electrician.
- Switch off power supply before installation, maintenance or reparation.
- 24VDC version: Connect only to safety SELV. low tension. Follow cable polarity.
- Power supply voltage and tension must meet the requirements specified on the product label
- Maintenance and reparations must only be carried out by qualified electrician.

Risk of explosion

Risk of explosion might occur if this product is installed and used in applications with high risk of explosion. It might cause heavy individual injuries.

- **Do not** install and use this product in environments subject to explosion hazards.

Installation and safety

- Handle with care and avoid that the lamp can drop even it is still packed. Avoid the lamp can roughly be hit. It might cause injuries to People as well as material damages.
- Use only original fixing accessories available from the manufacturer.
- Set up properly the Fixing accessories.
- The device must be correctly fasten using proper screws according to the application, place and surface where the product is mounted.
- Periodically Check that fastening hook have securely blocked.

Danger of dazzling by white light source.

Avoid to stare directly at the light source. May temporarily cause impaired vision. This could cause irritation, aches, damages or accidents.

- Do not Stare directly at the light source.
- The Device must be adjusted so that the flow light cannot point towards the eyes.

Danger caused by non-appropriate Spare parts.

Non-appropriate spare parts may cause personal injuries and damages to objects.

- **Do not** use spare parts that have not approved by the manufacturer.

Damage caused by the presence of laser beam

The lighting device MY0121S01 **cannot be installed** where high power LASER such us LASER cutting is operating; it may damage the LED source.

Damage due to high temperature

To install and use this device into environments where an existing high working temperature exceeds the device operating temperature, it drastically reduces the Led lifetime as well as cause damage to built-in electronic components.

- **Do not** use this Device into environments where the Device operating temperature is exceeding.
- Avoid direct solar radiation.

Danger due to reparations

To repair or take apart without appropriate technical and electrical knowledge of the product itself, can cause personal injuries and damages to objects.

- **Do not** try to repair or take the device apart. Turn to qualified personnel as for technical fault.
- Product tampering or modification that have not approved by the manufacturer will let warranty decline.

2.3 Levels of risk



Danger that in case of non-compliance **immediately** cause acute injuries or death at last.



Dangers that in case of non-compliance may cause acute injuries or death at last.



Dangers that in case of non-compliance may cause acute injuries.



Dangers that in case of non-compliance may cause damages to objects.

3. Versions

The product code is found on the label which is located on the back of the device.

Find the product code printed on the label which is stuck to the device;

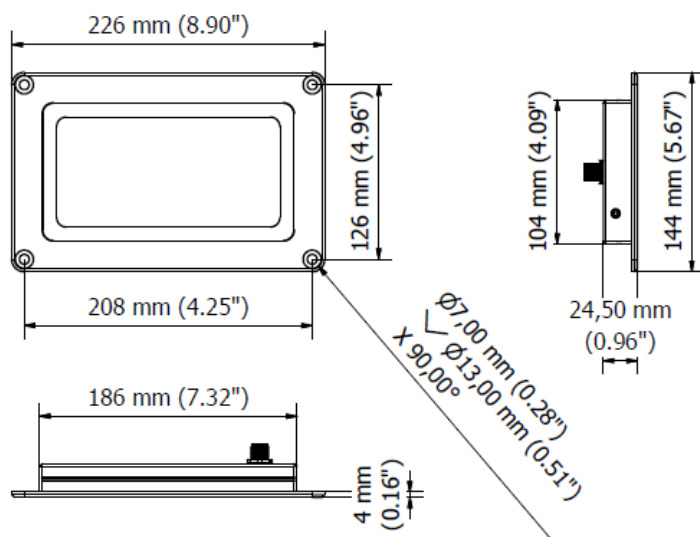
- find out the right item comparing product code printed on the label with one shown by the table below;
- The code printed on the label shows week and year of production

N.B. Keep the packaging label to allow easy tracking of the product in case of complaints.

Item	Tension	LED Nr.	Power	Connection
MY0121S01	24 Vdc	30	10,5 W	M12 4P (M) connector

4. Guide to Installation

4.1 Product sizes



4.2 Installation



CAUTION

The lamp fall-down may cause injuries and damages to objects

- Use only correct fastening devices to install the lamp



WARNING

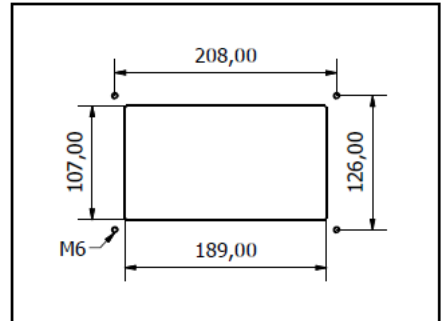
Turn off the power before proceeding to installation.

Correct installation

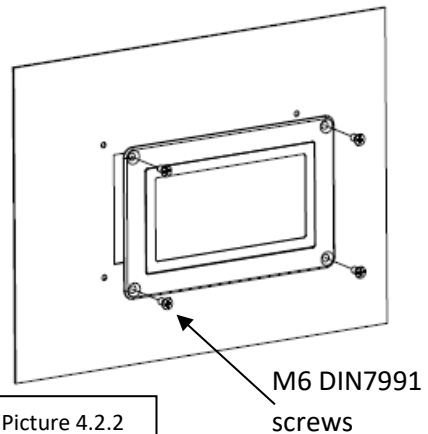
- Bore the machine surface according to drawing on page 8 (picture 4.2.1)
- Fix the device to the machine surface using M6 screws type DIN 7991 for each fastener (picture 4.2.2).
- Proceed to lamp connection

ATTENTION: Screws to fasten the lamp are not supplied with the lamp itself. The installer must choose proper screws, according with features of environment and surface

Picture 4.2.1



Holes for fastening



Picture 4.2.2

NOTICE

Damaging or broken lighting.
The product be damaged or be broken because of fall.

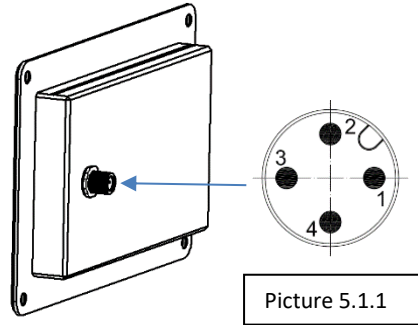
- Chek that screws are well tightened to the machine.

5. Connection

NOTICE

Liquid infiltrations into the lamp cause damages to things and lamp breakout

- Use a female connector IP 67 at least. It guarantees the same degree of protection of the lamp itself.
- Pay attention to correctly wire the M12 female according to picture 5.1.1



Picture 5.1.1

Lamp connector type M12-A 4P M

PIN	Wiring
1	DC + (24VDC)
2	Not connected
3	DC – (0VDC)
4	Not connected

5.1 24VDC connection with M12 female connector

NOTICE

A wrong wiring cause lamp breakout and Damages to things and people.

- Trained personnel must execute the electric connection.
- Strictly Follow the indications shown by the picture 5.1.1 in order to correctly wire polarity for female M12 connector
- Use a minimum section of 0,50 mm² wire for a single lamp plug-in

- Stay within the input voltage range for the lamp so you don't damage the LED drivers:

Range of permitted voltage values
23 ÷ 25,5VDC

5.2 Option for Connection



Code	Description
M12AFC5UL	Pre-assembled M12 4Pin, female, 5mt

6. Switching On and Off

- The lamp is not equipped with self-switching on and off.
- The lamp Turn on when receives tension and Turn off with the power off.

7. Troubleshooting

If the lamp does not turn on:

- Check that the lamp is properly wired to the supply voltage.
- Check, that polarity junction have correctly carried out.

If the lamp is faulty Contact CCEA TECHNICAL SUPPORT

CCEA Technical Support
Tel. +39 0444 572083
tecnico@ccealights.com
www.ccealights.com

8. Replacement of the Led light source

Thanks to the long-lasting life of the LED light source, more than 50.000 hours, to replace the PCB LED is not necessary if the lamp is properly installed and used according to this manual. Contact CCEA Technical Support or your Seller, in case of replacement of the PCB LED for failure not covered by the warranty.

9. Product maintenance and cleaning



Turn Power Supply off before proceeding to Maintenance.

This product does not need special maintenance.

- Cleaning operations must be done only after the power supply has been turned off and the surfaces have been cooled down.
- Afterwards the surfaces of the lamp shall be carefully rinsed with non aggressive cleanser and then wiped off with a soft cloth
- Check at regular intervals that the four fixing screws have securely tighten.



Leakage of liquid cause Damages to the lamp.

- Cleaning operations must be done at the end of any Working cycle when the lamp is installed in a wet environment or presence of lubricants.

NOTICE

10. Repairing

Material Damages by wrong repairing can cause damages to the lamp.

- Repair must be performed by the manufacturer or trained staff.
- Use only replacement parts authorized by the producer.

11. Warranty

TERMS OF WARRANTY

During the Product lifetime, the CCEA Warranty of the purchased product applies to checking and repair of the equipment to be performed exclusively at the CCEA Technical service Department or at one authorized official dealer service, therefore:

- Taking custody of the equipment presented for repair;
- Cost of components parts, including labour, on defective equipment.

The warranty does not cover:

- Transport, packing and shipping expenses;
- Deterioration or damage caused by:
 - Installation and/or operation according to methods other than those given in the user manual;

- Repair or attempted repair by personnel not authorized by CCEA Srl;
- Operation of the equipment under environmental conditions other than those specified in the user manual;
- Damages due to liquid infiltration inside the lamp
- Failure to observe due precautions during transport and shipping disregarding use of suitable packing (original packing is recommended to use).

WARRANTY PERIOD

The warranty period is 24 months; starting from the date of purchase. Once this period has expired, repair will be performed with the cost of replaced spare parts and labour charged according with CCEA Srl rates.

12. Product disposal (EU Regulation)

All the electrical and electronic equipment (WEEE) have to be managed with selective waste sorting and cannot be disposed of as municipal waste, as provided for in Directive 2012/19/Ue.

In view of the above this equipment, all its components, subsystems and the consumables which are an

integral part of the product have to be conveyed to the local collection facilities for them to be disposed of in accordance with the current legislation.

Please apply to the council offices of your place of residence in order to know where the collection facilities are located.



13. Technical Data

NOTE: See features printed on the label located on the back of the device

Power Supply	24 VDC
Power	10,5 W +5% (See Label)
IEC Class	III
Degree of protection	IP67
LED Driver	CCEA IDS Integrated Driver System
Light Colour	5000K
CRI	80
Operating Temperature	-20 + 45 °C
See Table page 7 for Further Technical data	

14. Symbols

	CE Statement
	CLASS III DEVICE Device working with extra-low voltages.
IP67	IP67 degree of protection
	LED Technology

15. Declaration of Conformity

CE CONFORMITY DECLARATION

C.C.E.A. SRL, via Piave, 2 - 36077 Altavilla Vicentina (VI) - P.I. e C.F. 02374040240 hereby declares that the light equipment item MY0121S01 it has been manufactured by CCEA SRL to which this declaration relates is in accordance with the following Directives: 2006/95/EC on Low Voltage Equipment Safety and the Directive of Electromagnetic Compatibility 89/336/CEE (EMC) 2004/108/EC. The unit complies with all applicable Essential Requirements of the following harmonized Standards:

- CEI EN 60598-1 "Lighting equipment. Part 1: General instructions and tests"
- CEI EN 60598-2-4 "Lighting equipment part 2: particular requirements – part 4 Portable general purpose luminaries".
- CEI EN 62031 "LED modules for general lighting. Safety specifications".

This is a standard product, built in according to a constructor's manufacturing schedule, which guarantee testing and crush tests procedures in order to make sure that the product is safe, efficient and long lasting.

C.C.E.A. SRL disclaim any responsibility resulting from tampering and/or wrong use of the device.

C . C . E . A . s r l

Via Piave, 2
36077 Altavilla Vicentina (VI) - Italy
Tel. ++39 0444 572083
Fax. ++39 0444 572337
E-mail: ccea@ccealights.com
www.ccealights.com