

# LYSAR LSR



LYSAR is the ultimate solution by CCEA Lighting Solutions designed for the Textile Industry.

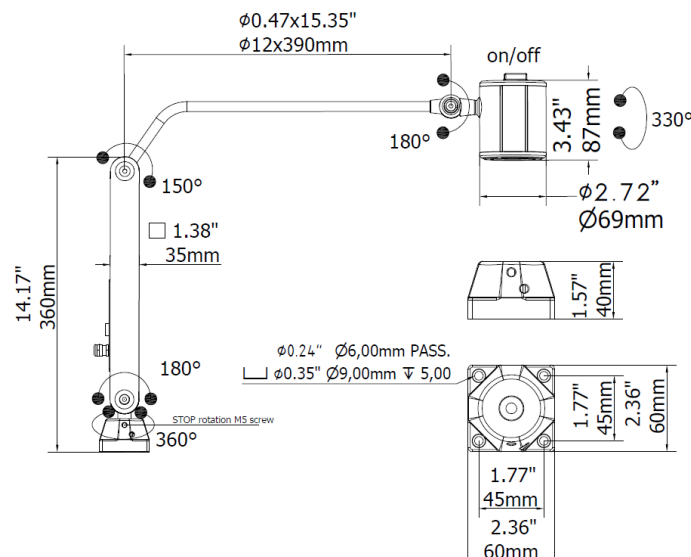
Extremely user-friendly, developed to maximize productivity, and exceptionally versatile, LYSAR Lamps are perfect for any sewing machine or table. From apparel to leather goods, from shoes to parachutes: LYSAR creates a powerful, extensive, and bright illumination, making it easy to check the quality of the sewing procedure, stitch by stitch, even far from the needle area.

LYSAR is available in four versions:

- LSF (Gooseneck, Table Mount)
- LSR (Swing Arm, Table Mount)
- L1050 (Machine Mount)
- NAEHM (Gooseneck, Machine Mount)

- Durable aluminum head
- Clear Vision, maintenance-free highly efficient LED technology
- 3 Power LEDs
- 5000° K light temperature
- 230 VAC power supply (internal LED driver)

## DIMENSIONS



## MECHANICAL FEATURES

Model	SA0322S03
Casing material	Paint aluminum spot, plastic base, paint aluminum and iron articulated arm
Side Caps	PA66
Surface Treatment	RAL 7035
Front glass	PMMA Lens
Weight	~ 2.76 lb 1,25 kg
Protection Index	IP20
Operating Temperature	-20 °C / + 45 °C
Installation	Screws, CLAMP04, B02

## ELECTRICAL FEATURES

Model	SA0322S03
Power input	3 W (@350mA)
Power supply	100 ÷ 240 Vac - 50/60 Hz
Electrical connection	PVC cable 2x 0,75mmq L. 1,5 m with SCHUKOPLUG
Insulation Class	Class I
Efficiency Class	A/A+/A++/A+++ (Integrated LED module) compliant with UE Law No. 874/2012

## CONNECTION 100-240 Vac

PVC 2x 0,75 mm<sup>2</sup> L= 6.56 ft. (2 m) with Schukoplug

Conductor

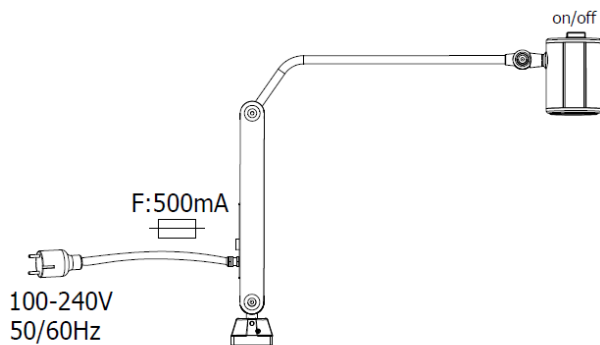
Connection

Brown

L - 230 V

Blue

N - 230V



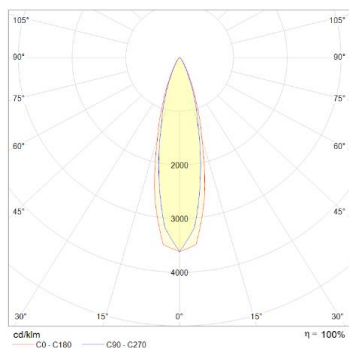
## OPTICAL FEATURES

Model	N° and Type of LEDs	LED Lifespan	Light Color	CRI	Light Beam Angle	Luminous Flux	Efficiency
SA0322S03	3 Power LED	60 000 h L70 **	5000 K	80	Lente 40°	~ 310 lm	~ 103 lm/W

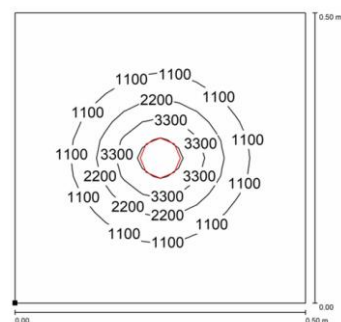
\*\* Flow beam reduced by less than 30% after 60,000 hours

## PHOTOMETRIC DIAGRAMS

40° Optics





SA0322S03



Distance graphic: 0,5 m

## MOUNTING OPTIONS

Product pictures	Description	Code
	Robust, versatile vibration-resistant metal clamp. Quick assembly on workbenches, manual machine tools, drilling machines etc.	CLAMP04
	The strong neodymium magnetic base, is the perfect solution for all applications that require both high adhesion and frequent changes of light position.	B02

## ORDER CODES

Model	Description
SA0322S03	LSR, 29.53"(750mm), 40°, 3W, 230Vac, Cable 5ft(1.5m) SCHUKO, blue ring, RAL7035
CLAMP04	Metal clamp for 2,36x2,36"(60x60mm) base
B02	Magnetic base with screw 2.36x2.36 inc.(60x60mm)